



### DRIVE SPECIFICATIONS

Classic Oxford Style Shown:  
L x W in mm 60mm x 18mm

Printable area  
Top: 25mm x 14mm Bottom: 25mm x 14mm

Connector: USB 2.0

Flash: Original chipset  
Micron or Samsung memory

Supported OS:  
PC: Windows XP + Mac: 10.6 +

Operating Temp:  
35F ~ 125F

Operating Humidity:  
15% ~ 85%

Body color:  
In stock: Black Others colors  
available with 7-10 day lead time

Other models, colors and styles available,  
contact for more details.

Certified Copy Secure media

CE, FCC, RoHS Compliant

All drives made to USB-IF specification

### ADVANCED FEATURES

- Create USB partitions
- Create CD-ROM partitions  
\*ISO file size limitation
- Write Protect first partition,  
second partition or both
- Make USB Read only so  
data cannot be deleted
- Control hard coded serial  
numbers on USB
- Serial number includes  
optional 10 character  
prefix control
- Create USB specific IMG  
files for bootable drives
- Write protect bootable  
partitions

#### Configuration options:

Drives available in: USB 2.0 and 3.0  
1GB, 2GB, 4GB, 8GB, 16GB, 32GB, 64GB, 128GB, 256GB  
\*Inquire about minimum order quantities

Standard orders are single channel product  
Dual Channel product available upon request

\*Specifications can change without notice.

### TOP



### BOTTOM



## DRIVE SPECIFICATIONS

Augusta Style Shown:

L x W in mm 56mm x 17mm

Printable area

Top: 25mm x 13mm Bottom: 25mm x 13mm

Connector: USB 2.0

Flash: Original chipset

Micron or Samsung memory

Supported OS:

PC: Windows XP + Mac: 10.6 +

Operating Temp:

35F ~ 125F

Operating Humidity:

15% ~ 85%

Body color:

In stock: Black Others colors available with 7-10 day lead time

Other models, colors and styles available, contact for more details.

Certified Copy Secure media

CE, FCC, RoHS Compliant

All drives made to USB-IF specification

## ADVANCED FEATURES

- Create USB partitions
- Create CD-ROM partitions  
\*ISO file size limitation
- Write Protect first partition, second partition or both
- Make USB Read only so data cannot be deleted
- Control hard coded serial numbers on USB
- Serial number includes optional 10 character prefix control
- Create USB specific IMG files for bootable drives
- Write protect bootable partitions

### Configuration options:

Drives available in: USB 2.0 and 3.0

1GB, 2GB, 4GB, 8GB, 16GB, 32GB, 64GB, 128GB, 256GB

\*Inquire about minimum order quantities

Standard orders are single channel product  
Dual Channel product available upon request

\*Specifications can change without notice.

### TOP



### BOTTOM



## DRIVE SPECIFICATIONS

Geneva Style Shown:  
L x W in mm 55mm x 16mm

Printable area  
Top: 33mm x 12mm Bottom: 33mm x 12mm

Connector: USB 2.0

Flash: Original chipset  
Micron or Samsung memory

Supported OS:  
PC: Windows XP + Mac: 10.6 +

Operating Temp:  
35F ~ 125F

Operating Humidity:  
15% ~ 85%

Body color:  
In stock: Black Others colors  
available with 7-10 day lead time

Other models, colors and styles available,  
contact for more details.

Certified Copy Secure media

CE, FCC, RoHS Compliant

All drives made to USB-IF specification

## ADVANCED FEATURES

- Create USB partitions
- Create CD-ROM partitions  
\*ISO file size limitation
- Write Protect first partition,  
second partition or both
- Make USB Read only so  
data cannot be deleted
- Control hard coded serial  
numbers on USB
- Serial number includes  
optional 10 character  
prefix control
- Create USB specific IMG  
files for bootable drives
- Write protect bootable  
partitions

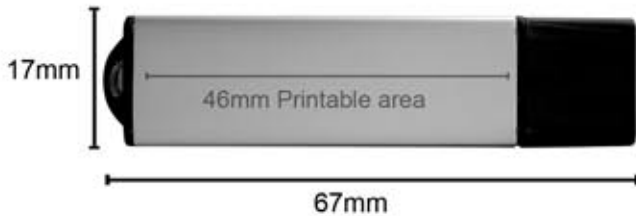
### Configuration options:

Drives available in: USB 2.0 and 3.0  
1GB, 2GB, 4GB, 8GB, 16GB, 32GB, 64GB, 128GB, 256GB  
\*Inquire about minimum order quantities

Standard orders are single channel product  
Dual Channel product available upon request

\*Specifications can change without notice.

### TOP



### BOTTOM



## DRIVE SPECIFICATIONS

Huntington Style Shown:  
L x W in mm 67mm x 17mm

Printable area  
Top: 46mm x 13mm Bottom: 25mm x 13mm

Connector: USB 2.0

Flash: Original chipset  
Micron or Samsung memory

Supported OS:  
PC: Windows XP + Mac: 10.6 +

Operating Temp:  
35F ~ 125F

Operating Humidity:  
15% ~ 85%

Body color:  
In stock: Black Others colors  
available with 7-10 day lead time

Other models, colors and styles available,  
contact for more details.

Certified Copy Secure media

CE, FCC, RoHS Compliant

All drives made to USB-IF specification

## ADVANCED FEATURES

- Create USB partitions
- Create CD-ROM partitions  
\*ISO file size limitation
- Write Protect first partition,  
second partition or both
- Make USB Read only so  
data cannot be deleted
- Control hard coded serial  
numbers on USB
- Serial number includes  
optional 10 character  
prefix control
- Create USB specific IMG  
files for bootable drives
- Write protect bootable  
partitions

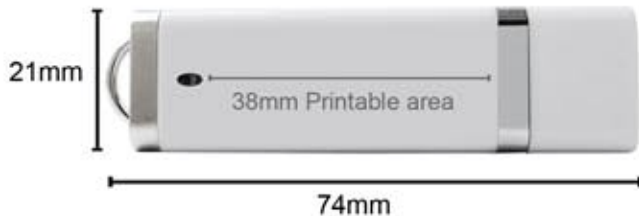
### Configuration options:

Drives available in: USB 2.0 and 3.0  
1GB, 2GB, 4GB, 8GB, 16GB, 32GB, 64GB, 128GB, 256GB  
\*Inquire about minimum order quantities

Standard orders are single channel product  
Dual Channel product available upon request

\*Specifications can change without notice.

### TOP



### BOTTOM



## DRIVE SPECIFICATIONS

Lexington Style Shown:  
L x W in mm 74mm x 21mm

Printable area  
Top: 38mm x 13mm Bottom: 43mm x 13mm

Connector: USB 2.0

Flash: Original chipset  
Micron or Samsung memory

Supported OS:  
PC: Windows XP + Mac: 10.6 +

Operating Temp:  
35F ~ 125F

Operating Humidity:  
15% ~ 85%

Body color:  
In stock: Black Others colors  
available with 7-10 day lead time

Other models, colors and styles available,  
contact for more details.

Certified Copy Secure media

CE, FCC, RoHS Compliant

All drives made to USB-IF specification

## ADVANCED FEATURES

- Create USB partitions
- Create CD-ROM partitions  
\*ISO file size limitation
- Write Protect first partition,  
second partition or both
- Make USB Read only so  
data cannot be deleted
- Control hard coded serial  
numbers on USB
- Serial number includes  
optional 10 character  
prefix control
- Create USB specific IMG  
files for bootable drives
- Write protect bootable  
partitions

### Configuration options:

Drives available in: USB 2.0 and 3.0  
1GB, 2GB, 4GB, 8GB, 16GB, 32GB, 64GB, 128GB, 256GB  
\*Inquire about minimum order quantities

Standard orders are single channel product  
Dual Channel product available upon request

\*Specifications can change without notice.

### TOP



### BOTTOM



## DRIVE SPECIFICATIONS

Newport Style Shown:  
L x W in mm 67mm x 17mm

Printable area  
Top: 39mm x 13mm Bottom: 25mm x 13mm

Connector: USB 2.0

Flash: Original chipset  
Micron or Samsung memory

Supported OS:  
PC: Windows XP + Mac: 10.6 +

Operating Temp:  
35F ~ 125F

Operating Humidity:  
15% ~ 85%

Body color:  
In stock: Black Others colors  
available with 7-10 day lead time

Other models, colors and styles available,  
contact for more details.

Certified Copy Secure media

CE, FCC, RoHS Compliant

All drives made to USB-IF specification

## ADVANCED FEATURES

- Create USB partitions
- Create CD-ROM partitions  
\*ISO file size limitation
- Write Protect first partition,  
second partition or both
- Make USB Read only so  
data cannot be deleted
- Control hard coded serial  
numbers on USB
- Serial number includes  
optional 10 character  
prefix control
- Create USB specific IMG  
files for bootable drives
- Write protect bootable  
partitions

### Configuration options:

Drives available in: USB 2.0 and 3.0  
1GB, 2GB, 4GB, 8GB, 16GB, 32GB, 64GB, 128GB, 256GB  
\*Inquire about minimum order quantities

Standard orders are single channel product  
Dual Channel product available upon request

\*Specifications can change without notice.

### Nexcopy Media Specifications

**NOTE:** Nexcopy does not provide support for flash media purchased from other suppliers. Below is a list of controllers compatible with the Nexcopy PRO Series duplicators. It is important to know, only Nexcopy media is 100% guaranteed to work with PRO Series duplicators.

**CAUTION:** Use outside suppliers at your own risk. Be sure to test media before mass production. **TIP:** USB media missing Serial Numbers from your supplier denotes low quality media and most likely not compatible with Nexcopy software. Promo quality memory most likely not compatible with software.

#### **SILICON MOTION INC** **2.0 - 3254, 3255, 3257** **3.0 - 3260, 3261, 3267**

Supported features:

1 or 2 partitions

write protect (data lock, read only)

CD-ROM partition

No ISO limit

Serial Number Control

VID, PID control

Reset device to original state

Specifications can change without notice as above features are dependent on controller manufacturer. Additional controllers may be added. Inquire with Nexcopy for more details.

#### **ALCORMICRO INC** **2.0 - 6986, 6987, 6990, 6998,** **6989, 8707**

Supported features:

1 or 2 partitions

write protect (data lock, read only)

CD-ROM partition \*Not compatible on Mac

ISO limit of 3GBs

Serial Number Control

VID, PID control

Reset device to original state

Specifications can change without notice as above features are dependent on controller manufacturer. Additional controllers may be added. Inquire with Nexcopy for more details.

Nexcopy understands the importance of well made media products. Our manufacturing process uses defined and controlled bill of materials for components and parts. Our process insures consistent product from order to order and from month to month. Nexcopy certified media is fully guaranteed to work with our duplicator systems. Nexcopy offers full service branding which includes logo printing, full color printing, laser etching, serial number sequencing and product packaging.

## FLASH DRIVE ORDER INFORMATION



**OXFORD**



**GENEVA**



**HUNTINGTON**



**AUGUSTA**



**NEWPORT**



**LEXINGTON**

### ORDER INFORMATION

Nexcopy media is ordered by a combination of part number and description.

It is recommended to include your company's internal part number in the description of your order to Nexcopy.

It is recommended to include a digital proof if a printed logo is required. Nexcopy can make a digital proof for your records and order submission.

### PART NUMBERS & DESCRIPTIONS

#### PART NUMBER - STANDARD DRIVES:

USB2DRXGB - USB 2.0 media. X is Gigabyte capacity.

USB3DRXGB - USB 3.0 media. X is Gigabyte capacity.

#### DESCRIPTION:

XGB Flash Drive, USB X.0 - [Body style name] + [color] + [Print/NoPrint of logo] + Company part number if you have one.

#### PART NUMBER - COPY SECURE DRIVES:

USB2CSXGB - USB 2.0 Copy Secure media. X is GB capacity.

USB3CSXGB - USB 3.0 Copy Secure media. X is GB capacity.

#### DESCRIPTION:

XGB Copy Secure Flash Drive, USB X.0 - [Body style name] + [color] + [Print/NoPrint of logo] + Company part number if you have one.

#### PART NUMBER - LOCK LICENSE DRIVES:

USB2LLXGB - USB 2.0 Lock License media. X is GB capacity.

USB3LLXGB - USB 3.0 Lock License media. X is GB capacity.

#### DESCRIPTION:

XGB Lock License Flash Drive, USB X.0 - [Body style name] + [color] + [Print/NoPrint of logo] + Company part number if you have one.

#### PART NUMBER - DISC LICENSE DRIVES:

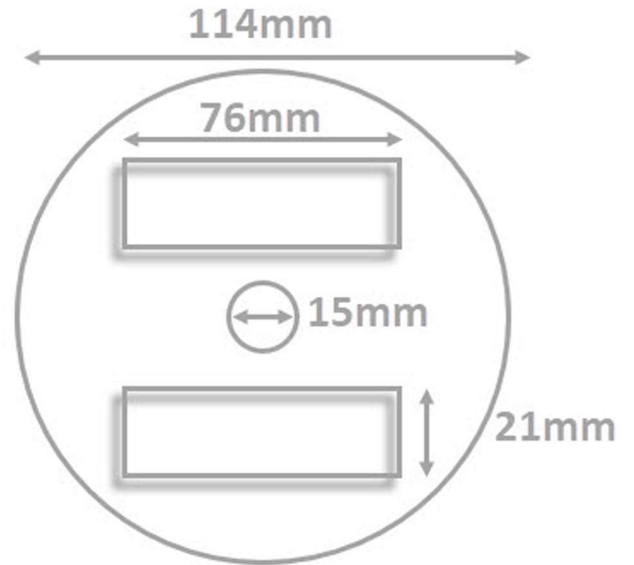
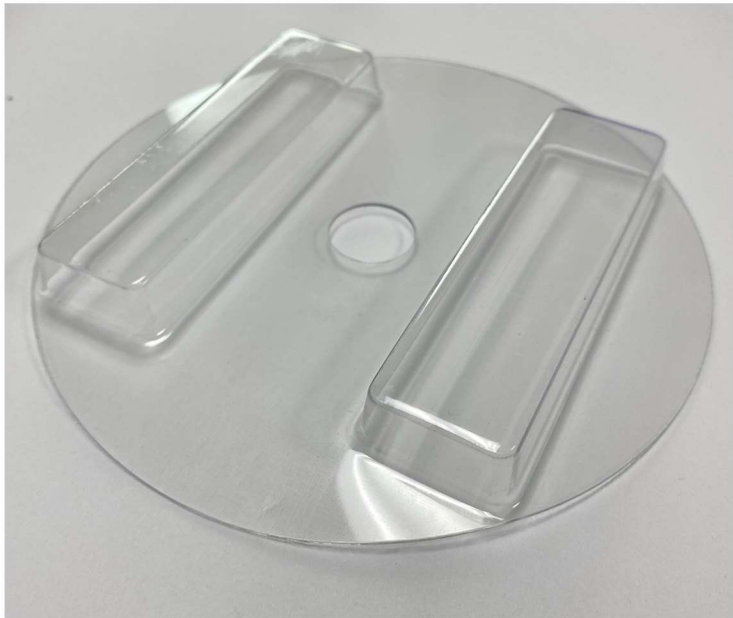
USB2DLXGB - USB 2.0 Disc License media. X is GB capacity.

USB3DLXGB - USB 3.0 Disc License media. X is GB capacity.

#### DESCRIPTION:

XGB Disc License Flash Drive, USB X.0 - [Body style name] + [color] + [Print/NoPrint of logo] + Company part number if you have one.

## USB TO DVD INSERT



### ORDER INFORMATION

Nexcopy USB to DVD Insert card is designed to hold one or two USB flash drives and/or other accessories, such as neck lanyard, securely inside a DVD case.

The insert is designed to fit all DVD case configurations; however, it is recommended to order sample product to confirm inserts fit and properly secure product inside your DVD case version before bulk ordering.

PART NUMBER:  
USB-TO-DVD-INSERT

DESCRIPTION:  
USB to DVD Insert - Clear plastic, 0.65mm thick